



COLLAPSIBLE RATPAKX

COLLAPSIBLE BREACHING TOOLS KIT RPX30

The Collapsible Breaching Tools Kit includes an collapsible prybar, collapsible bolt cutter, and collapsible sledgehammer all carried in a custom backpack. These tools have been designed to extend and lock into the full length position quickly with very little operator effort.

Through customer evaluations and internal testing, these tools have a proved track record of durability and performance.



The backpack is produced in the **USA** and includes:

- Adjustable padded shoulders
- Adjustable padded hip belt
- Three pouches with upper straps to secure tools
- Cover flap with two tie downs
- Semi rigid backing material for strength and comfort
- Loop handle on top to lift pack
- Velcro pad for identification label
- Backpack material: DuPont 100 denier nylon Cordura (Black and Coyote Tan available)

SPECS. & MEASUREMENTS

ITEM	PART #	WEIGHT
COLLAPSIBLE BOLT CUTTER	BCX30	5.8LBS (2.6KG)
COLLAPSIBLE SLEDGEHAMMER (6LB)	SHX30-6	7LBS (3.2KG)
COLLAPSIBLE SLEDGEHAMMER (8LB)	SHX30-8	9LBS (4.1KG)
COLLAPSIBLE PRY BAR	PBX30	6LBS (2.7KG)
CUSTOM BACKPACK		3LBS (1.4KG)
TOTAL		24.1LBS (10.9KG)



Collapsible Pry Bar
PBX30



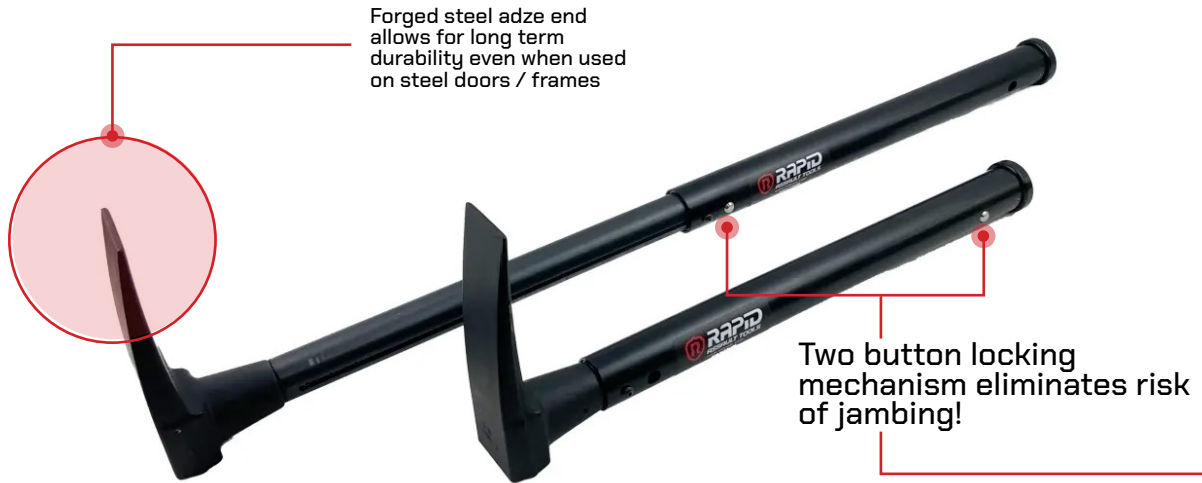
Collapsible Sledgehammer
SHX30-8 | SHX30-6



Collapsible Bolt Cutter
BCX30



COLLAPSIBLE PRY BAR



Extremely light, portable and rugged telescoping prybar. This special operations tool is the perfect solution for many real world scenarios. It provides versatility and power yet is compact and light enough to be easily carried or stowed. The perfect balance between *weight* and *function*.

The thin adze end is perfect to pry open doors, windows, gates, etc. The telescoping shaft is constructed from high strength Chromoly steel. It extends from a compact - *18" up to 30"* for maximum leverage. The *proven push button design* locks the shaft in the open and closed position allowing the tool to be used open or closed.

SPECS. & MEASUREMENTS

PART NUMBER: PBX30

TOOL LENGTH	17.9" [45.6 CM]	COLLAPSED
	29.6" [75.1 CM]	EXTENDED
TOOL WEIGHT	6.0 LB [2.7KG]	



SCAN FOR
MORE INFO



COLLAPSIBLE BOLT CUTTERS



Handles on these engineered bold cutters can be compact or extend for maximum cutting power. The *proven push button design* locks the shaft in the open and closed position allowing the tool to be used open or closed.

The Collapsible Bolt Cutter is produced in the USA and includes:

- 3/8" cutting capacity
- Heat treated black oxide blades (replaceable)
- Black anodized handles lock in open and closed position

SPECS. & MEASUREMENTS

PART NUMBER: BCX30

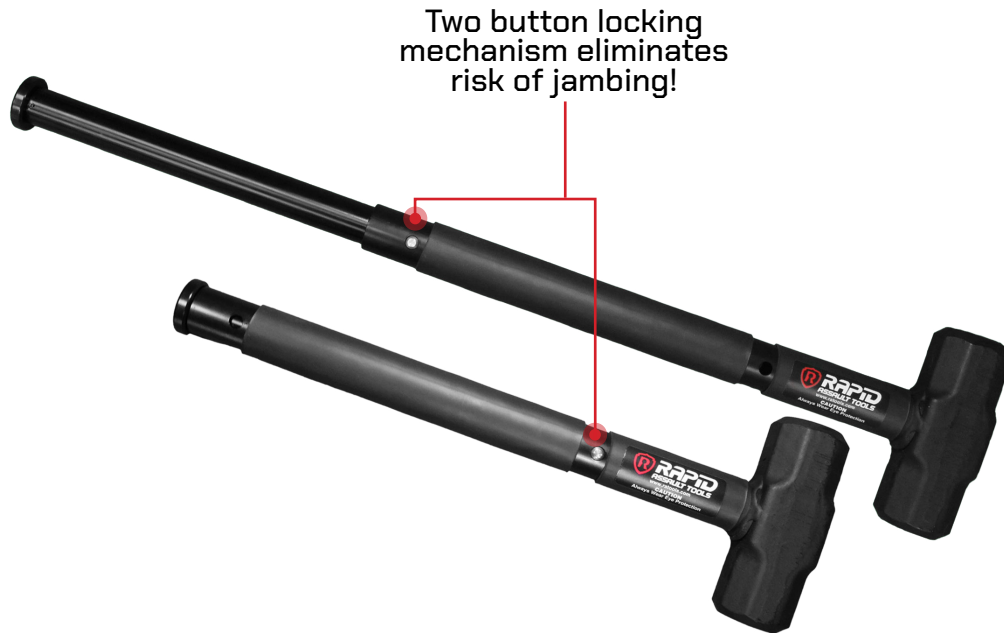
TOOL LENGTH	19.5" [49.5CM]	COLLAPSED
	27.5" [69.9CM]	EXTENDED
TOOL WEIGHT	5.8 LB [2.6KG]	



SCAN FOR
MORE INFO



COLLAPSIBLE RATSLEDGEX



High quality collapsible telescoping tactical sledgehammer. Made in the USA, this sledge is made to last. The innovative design allows the tool to be used in either fully closed or fully extended. Locking pins automatically secure handles into either position. Large bottom flange provides excellent control and confidence during use.

The standard tool includes a 8lbs drop-forged, heat treated steel head, aluminum alloy handle and stainless steel locking mechanism.

The Collapsible Sledgehammer is produced in the USA and includes:

- Telescoping handle locks in open and closed position
- Anodized black handle
- Available in 6lbs or 8lbs head

SPECS. & MEASUREMENTS

PART NUMBER: SHX30-8 [STANDARD]

TOOL LENGTH	18.7" [47.5 CM]	COLLAPSED
	29.6" [75.4 CM]	EXTENDED
TOOL WEIGHT	9.0 LB [4.0KG]	

PART NUMBER: SHX30-6 [SPECIAL ORDER]

TOOL LENGTH	18.6" [47.2CM]	COLLAPSED
	29.6" [75.2CM]	EXTENDED
TOOL WEIGHT	7.0 LB [3.2KG]	



SCAN FOR
MORE INFO