

The **SCHUBERTH M100** is a modern combat helmet with superior comfort and high ballistic protection. Its highly adaptable rail system and adjustable interior offers outstanding performance on the battlefield. An above-average proportion of common parts across all sizes and optimised serviceability guarantee low life cycle costs and a high degree of sustainability.

HELMET SHELL

- The helmet shell is made of an aramid composite with superior performance.

Ballistic protection levels:

- NIJ IIIA
- VPAM 2 (5 cm to the edge)
- STANAG 2920 V50: 690 m/s

LINER SYSTEM

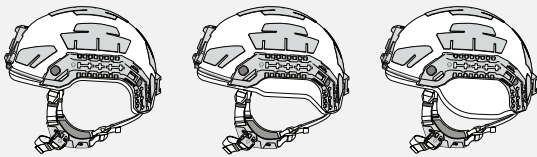
The lining consists of an EPP inner shell, a front head pad with head shape adjustment, a neck pad, a net, as well as a 4-point chin strap with webbing guide and chin lock. The head circumference can be adjusted by a dialing wheel.

Shock absorption compliant to the following norms:

- Mountaineering helmet EN 12492
- White water EN 1385
- Industrial Safety EN 397 (< 6000 N)

SHELL TYPES

The M100 is available as High, Mid and Full Cut.



AVAILABLE COLOURS

tar black: RAL 9021
 bronze green: RAL 6031
 sand brown: RAL 8031

Other options available upon request

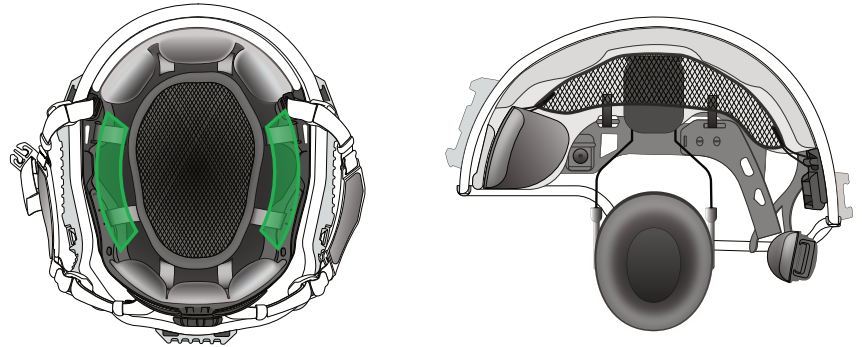
| SIZES IN CM | INTERNATIONAL SIZES | SHELL SIZES | WEIGHT | | |
|-------------|---------------------|-------------|--------|--------|--------|
| | | | High | Mid | Full |
| 52-58 | S-M | I | 1.260g | 1.330g | 1.380g |
| 57-61 | M-XL | II | 1.340g | 1.410g | 1.460g |
| 60-64 | XL-XXL | III | 1.420g | 1.490g | 1.540g |
| 62-66 | XXL-XXXXL | IV | 1.490g | 1.560g | 1.610g |

Weight including Liner System, excluding Rails and Shroud.

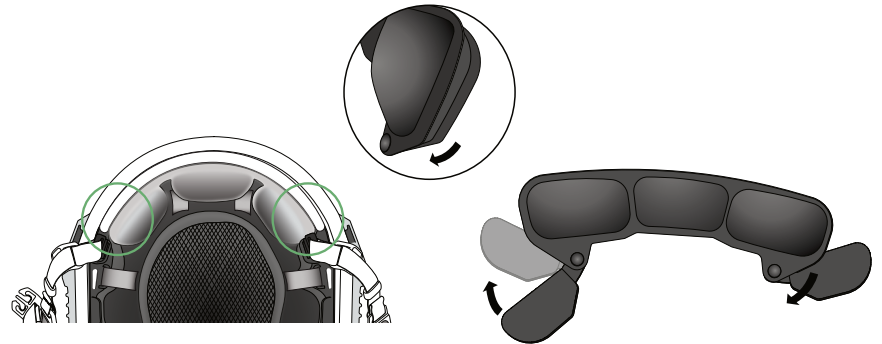
FEATURES

LINER SYSTEM

- Divided headband and revolutionary strap design for unsurpassed comfort, specially developed for earmuffs and communication systems.
- Integrated mesh for optimal ventilation.



- All components remain in the helmet and cannot get lost.
- Maximum individualisation by adjusting the head shape in the forehead area and the head width by means of the dialing wheel.

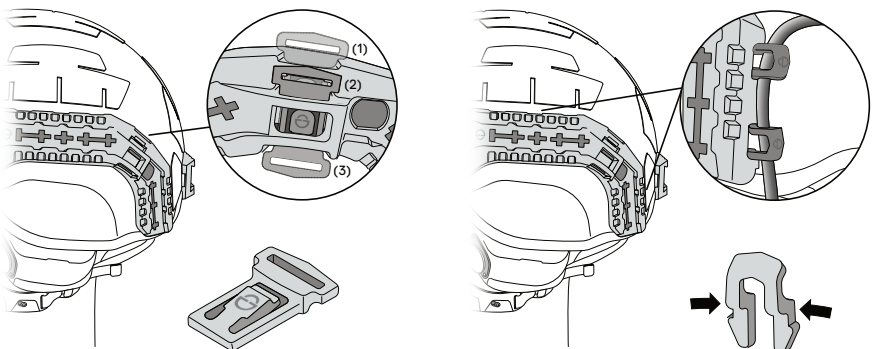


RAIL SYSTEM

- 3 slots each for fastening clips integrated. These allow the simultaneous attachment of oxygen/respirator masks, protective goggles and straps to secure IR friend/foe (IFF) detection modules. Two pieces are delivered per combat helmet.
- Each combat helmet is supplied with eight Enhanced Connection Devices (ECD). These provide additional interfaces for further attachments. The ECDs allow, for example, the attachment of cords or textile elements/artificial camouflage. The shape of the ECD also allow cables to be precisely guided following the lines of the helmet shell. For this purpose, all rail elements and the shroud are equipped with corresponding slots for the ECD.

Fastening Clips:

ECD:



M100

Ballistisches Kopfschutzsystem



SCHUBERTH